

User Manual / Bedienungsanleitung

EE100Ex
Humidity / Temperature Sensor for
Intrinsically Safe Applications

Feuchte / Temperatur Sensor für
eigensichere Anwendungen

YOUR PARTNER IN SENSOR TECHNOLOGY



ELEKTRONIK®
Ges.m.b.H.

E+E Elektronik Ges.m.b.H. doesn't accept warranty and liability claims neither upon this publication nor in case of improper treatment of the described products.

The document may contain technical inaccuracies and typographical errors. The content will be revised on a regular basis. These changes will be implemented in later versions. The described products can be improved and changed at any time without prior notice.

**© Copyright E+E Elektronik Ges.m.b.H.
All rights reserved.**

E+E Elektronik® Ges.m.b.H. übernimmt für diese Publikation keinerlei Garantie und bei unsachgemäßer Handhabung der beschriebenen Produkte keinerlei Haftung.

Diese Publikation kann technische Ungenauigkeiten oder typographische Fehler enthalten. Die enthaltenen Informationen werden regelmäßig überarbeitet und unterliegen nicht dem Änderungsdienst. Der Hersteller behält sich das Recht vor, die beschriebenen Produkte jederzeit zu modifizieren bzw. abzuändern.

**© Copyright E+E Elektronik Ges.m.b.H.
Alle Rechte vorbehalten.**

CONTENT / INHALT

ENGLISH

1	General	4
1.1	Explanation of Symbols	4
1.2	Safety Instructions	4
1.2.1	General Safety Instructions	4
1.2.2	Mounting, Start-up and Operation	4
1.3	Environmental Aspects	5
1.4	ESD Protection	5
1.5	Scope of Supply	5
2	Product Description	6
2.1	General	6
2.2	EU Conformity	6
2.3	Certification	6
2.3.1	ATEX and IECEx	6
2.3.2	Korea	6
2.3.3	Japan	7
2.4	Dimensions in mm (inch)	8
2.4.1	Model T1 - Wall Mount	8
2.4.2	Model T3 - Remote Sensing Probe with Fixed Cable	8
2.4.3	Model T23 - Remote Sensing Probe with M12 Connector	9
2.5	Installation	9
2.5.1	Drilling Template for Mounting the EE100EX Enclosure	9
2.5.2	Sensing Probe and Filter Cap	10
2.5.3	Mounting with Mounting Flange (optional)	11
3	Electrical Connection	11
3.1	General	11
3.2	Terminal Assignment EE100Ex	11
4	Configuration and Adjustment	12
4.1	Configuration	12
4.1.1	Output Scale	12
4.1.2	Measurands	12
4.2	Error Indication (NAMUR)	12
4.3	Calibration / Adjustment	13
4.3.1	Definitions	13
4.3.2	Return to factory setup	13
5	Status LEDs	13
6	Replacement Parts / Accessories	13
7	Technical Data	14

DEUTSCH

1	Allgemein	15
1.1	Symbolerklärung	15
1.2	Sicherheitshinweise	15
1.2.1	Allgemeine Sicherheitshinweise	15
1.2.2	Montage, Inbetriebnahme und Betrieb	15
1.3	Umweltaspekte	16
1.4	ESD Schutz	16
1.5	Lieferumfang	16
2	Produktbeschreibung	17
2.1	Allgemein	17
2.2	EU Konformität	17
2.3	Zertifizierung	17
2.3.1	ATEX und IECEx	17
2.3.2	Korea	18
2.3.3	Japan	18
2.4	Abmessungen in mm (inch)	19
2.4.1	Modell T1 - Wandmontage	19
2.4.2	Modell T3 - Abgesetzter Fühler mit fixem Kabel	20
2.4.3	Modell T23 - Abgesetzter Fühler mit M12 Stecker	20
2.5	Installation	21
2.5.1	Bohrplan für die Montage des EE100Ex Gehäuses	21
2.5.2	Fühler und Filterkappe	21
2.5.3	Montage mit Montageflansch (optional)	22
3	Elektrischer Anschluss	23
3.1	Allgemein	23
3.2	Anschlussbelegung EE100Ex	23
4	Konfiguration und Justage	23
4.1	Konfiguration	23
4.1.1	Ausgabeskalierung	23
4.1.2	Messgrößen	23
4.2	Fehleranzeige (NAMUR)	24
4.3	Kalibrierung / Justage	24
4.3.1	Definitionen	24
4.3.2	Reset auf Werkseinstellung	24
5	Status LEDs	24
6	Ersatzteile / Zubehör	25
7	Technische Daten	25

ENGLISH

1 General

This user manual serves for ensuring proper handling and optimal functioning of the device. The user manual and safety guide shall be read before commissioning the equipment and it shall be provided to all staff involved in transport, installation, operation, maintenance and repair.

The user manual may not be used for the purposes of competition without the written consent of E+E Elektronik® and may not be forwarded to third parties. Copies may be made for internal purposes. All information, technical data and diagrams included in these instructions are based on the information available at the time of writing.

1.1 Explanation of Symbols



This symbol indicates safety information.

It is essential that all safety information is strictly observed. Failure to comply with this information can lead to personal injuries or damage to property. E+E Elektronik® assumes no liability if this happens.



This symbol indicates instructions.

The instructions shall be observed in order to reach optimal performance of the device.

1.2 Safety Instructions

1.2.1 General Safety Instructions

- Avoid any unnecessary mechanical stress and inappropriate use.
- When replacing the filter cap make sure not to touch the sensing elements.
- For sensor cleaning and filter cap replacement please see “Cleaning instructions” at www.epluse.com.
- Installation, electrical connection, maintenance and commissioning shall be performed by qualified personnel only.

1.2.2 Mounting, Start-up and Operation

The device has been produced under state of the art manufacturing conditions, has been thoroughly tested and has left the factory fulfilling all safety criteria.

The manufacturer has taken all precautions to ensure safe operation of the device. The user must ensure that the device is set up and installed in a manner that does not have a negative effect on its safe use.

The user is responsible for observing all applicable safety guidelines, local and international, with respect to safe installation and operation on the device. This operating manual contains information and warnings that must be observed by the user in order to ensure safe operation.

- Mounting, start-up, operation and maintenance of the device may be performed by qualified staff only.
- Such staff must be authorized by the plant operator to carry out the mentioned activities.
- The qualified staff must have read and understood the operating manual and the safety guide and must follow the instructions contained within.
- All process and electrical connections shall be thoroughly checked by authorized staff before putting the system into operation.
- Do not install or start-up a device supposed to be faulty. Make sure that such devices are not accidentally used by marking them clearly as faulty.
- A faulty device may only be investigated and possibly repaired by qualified, trained and authorized staff. If the fault cannot be fixed, the device shall be removed from the system.
- Service operations other than described in this operating manual may only be performed by the manufacturer.

1.3 Environmental Aspects



Products from E+E Elektronik® are developed and manufactured observing of all relevant requirements with respect to environment protection. Please observe local regulations for the device disposal.



For disposal, the individual components of the device must be separated according to local recycling regulations. The electronics shall be disposed of correctly as electronics waste.

1.4 ESD Protection

The sensing elements and the electronics board are ESD (electrostatic discharge) sensitive components of the device and must be handled as such. The failure to do so may damage the device by electrostatic discharges when touching exposed sensitive components.

1.5 Scope of Supply

- EE100Ex according to ordering guide
- 1 x Allen key
- Operating manual
- Inspection certificate according to DIN EN 10204-3.1
- Safety guide

2 Product Description

2.1 General

The EE100EX intrinsically safe sensor is intended for the measurement of relative humidity (RH), temperature (T) and dew point temperature (Td) / frost point temperature (Tf) in the explosion hazard area, in gas up to Zone 1. The device may only be powered by an intrinsically safe power supply device or via zener barriers.

The manufacturer cannot be held responsible for damages as a result of incorrect handling, installation and maintenance of the device.

Unauthorized modifications of the product lead to loss of all warranty claims.

Disclaimer

The manufacturer or his authorized agent can only be held liable in case of willful or gross negligence. In any case, the scope of liability is limited to the corresponding amount of the order issued to the manufacturer. The manufacturer assumes no liability for damages incurred due to failure to comply with the applicable regulations, operating instructions or the operating conditions. Consequential damages are excluded from the liability.

2.2 EU Conformity

The EE100Ex sensors are in conformity with the provisions of the following EU directive(s):

- ATEX Directive
- EMC Directive
- ROHS Directive

Conformity is shown by compliance with the following standards:

- EN 60079-0
- EN 60079-11
- EU-type examination certificate number: TPS 19 ATEX 038892 0008 X
- EN 61326-1: Electrical equipment for measurement, control and laboratory use - EMC requirements - for use in industrial locations.
- EN 50581: Technical documentation for the assessment of electrical and electronic products with respect to the restriction of hazardous substances.

2.3 Certification

2.3.1 ATEX and IECEx

Copies of the certificates and wiring diagrams are provided in the EE100Ex Safety Guide. You can download updated certificates from the EE100Ex product page at the E+E website: www.epluse.com/ee100ex.



2.3.2 Korea

Applied law for Korea:

Article 34 of the Occupational Safety & Health Act
The Certificate of Conformity has been carried out by KC.

Certificate No.

20-AV4BO-0440X

Entity parameters:

$U_i = 28 \text{ V DC}$; $I_i = 100 \text{ mA}$; $P_i = 700 \text{ mW}$ (per channel); $C_i = 2.2 \text{ nF}$; $L_i = \text{negligibly small}$

Ex-Designation:

Ex ia IIB T4 ($T_{amb} = -40 \text{ }^\circ\text{C}$ to $60 \text{ }^\circ\text{C}$)

Specific conditions of use:

- 1) EE100Ex meets the requirements for „ia“ according to IEC 60079-11. Usage is only permitted in EPL Gb, Zone 1 due to the aluminium enclosure.
- 2) The fixed or separated probe must not be installed in Zone 0, since the EPL of the entire EE100Ex device is limited to “Gb”.
- 3) The sensor probe has to be covered with one of the provided filter caps.
- 4) The configuration and adjustment of the EE100Ex is only permitted with the associated HA011068 connection cable outside the hazardous area. When the HA011068 is connected to the EE100Ex, CH1 and CH2 must not be connected.
- 5) Consult the user manual provided by the manufacturer.

2.3.3 Japan

Type Approval Certificate has been carried out by CSA Group Testing UK Ltd.

Certificate No.

CSAUK 20JPN060X

Entity parameters

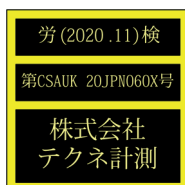
$U_i = 28 \text{ V DC}$; $I_i = 100\text{mA}$; $P_i = 700 \text{ mW}$ (per channel); $C_i = 2.2 \text{ nF}$; $L_i \approx 0$

Ex-Designation

Ex ia IIB T4 Gb ($T_a = -40 \text{ }^\circ\text{C}$ to $60 \text{ }^\circ\text{C}$)

Specific conditions of use:

- 1) EE100Ex meets the requirements for „ia“ according to IEC 60079-11. Usage is only permitted in EPL Gb, Zone 1 due to the aluminium enclosure.
- 2) The fixed or separated probe must not be installed in Zone 0, since the EPL of the entire EE100Ex device is limited to “Gb”.
- 3) The sensor probe has to be covered with one of the provided filter caps.
- 4) The configuration and adjustment of the EE100Ex is only permitted with the associated HA011068 connection cable outside the hazardous area. When the HA011068 is connected to the EE100Ex, CH1 and CH2 must not be connected.
- 5) The enclosure shall be completed with those parts supplied by the manufacturer e.g. cable glands.

Japanese ministry label**Japanese Ex marking label or hazardous label**

E+E Elektronik 4209 Engerwitzdorf Langwiesen 7
 Cert No. CSAUK 20JPN060X
 Ex ia IIB T4 Gb
 $U_i = 28\text{Vdc}$ $I_i = 100\text{mA}$ $P_i = 700\text{mW}$ $C_i = 2.2\text{nF}$ $L_i = \text{negligibly small}$
 $-40^\circ\text{C} \leq T_a \leq 60^\circ\text{C}$ IP65 Series: S CCYYYY

S... Current EE100Ex series

CCYYYY CC calendar week of production
 YYYY year of production

Certificate Japan

For more information please contact the E+E sales support.

2.4 Dimensions in mm (inch)

2.4.1 Model T1 - Wall Mount

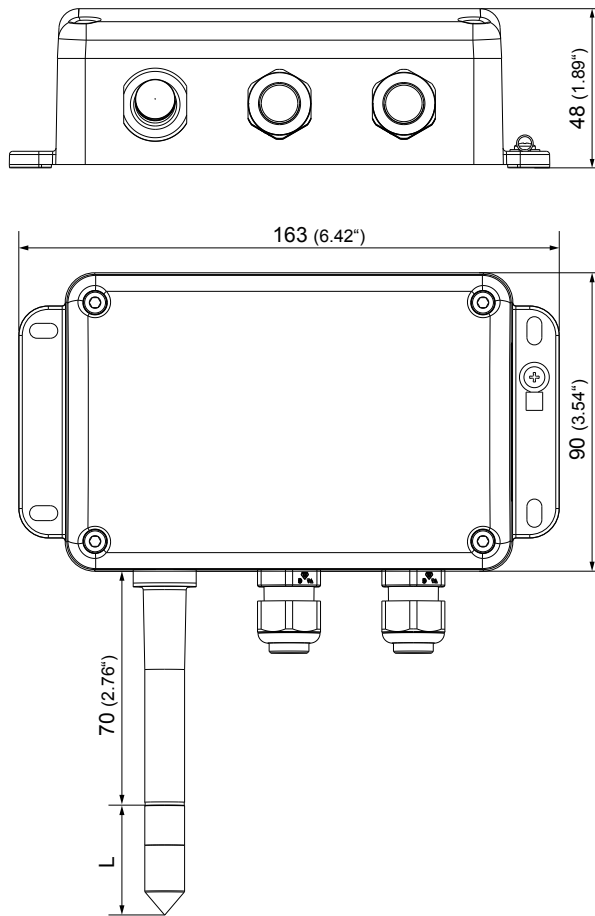


Fig. 1 Dimensions Model T1

2.4.2 Model T3 - Remote Sensing Probe with Fixed Cable

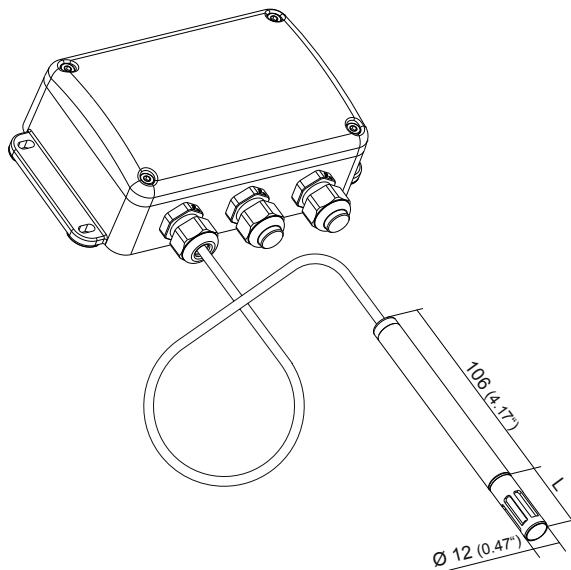


Fig. 2 Dimensions Model T3

Cable length max. 3 meters (9.84 feet).

2.4.3 Model T23 - Remote Sensing Probe with M12 Connector

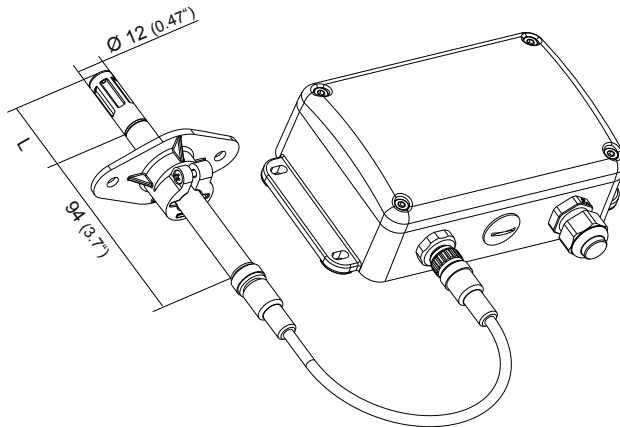


Fig. 3 Dimensions Model T23

M12 connection cable length max. 3 meters (9.84 feet).
 Temperature working range cable -25...60 °C (-13...140 °F)

L - length of filter	mm (inch)
Stainless steel sintered filter	33 (1.3)
PTFE filter, H ₂ O ₂ filter	33 (1.3)
Stainless steel grid / PTFE filter	39 (1.5)
Membrane filter	34 (1.4)

2.5 Installation

The EE100Ex has been certified in accordance with the ATEX 2014/34/EU directive, the IECEX, Korean KCs and Japanese CSA certification Schemes.

2.5.1 Drilling Template for Mounting the EE100EX Enclosure

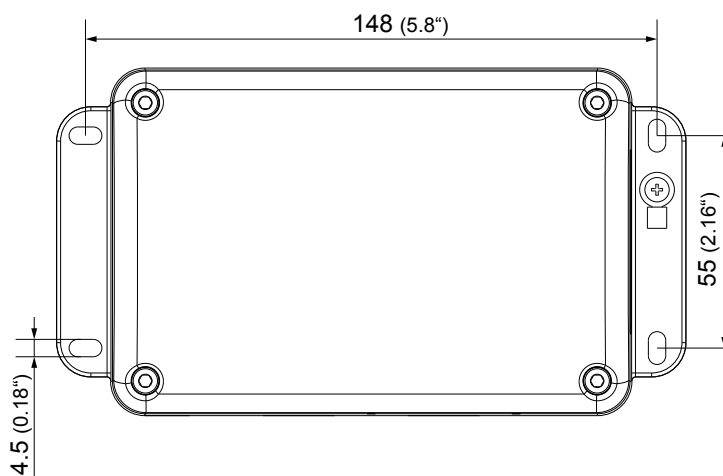


Fig. 4 Drilling template

Unused openings for cable glands should be sealed with a sealing plug (not included in the scope of supply).

2.5.2 Sensing Probe and Filter Cap

The wall mounted EE100Ex features a fixed mounted plastic (ABS / PC) probe. The material of the remote probe is PC.



The probe shall be mounted horizontally or vertically with the probe tip pointing downwards, at a representative location for the process. It may not be exposed to weather or direct sunlight.

In order to avoid condensation water getting along the cable to the sensing probe, a drip loop shall be realized close to the probe.

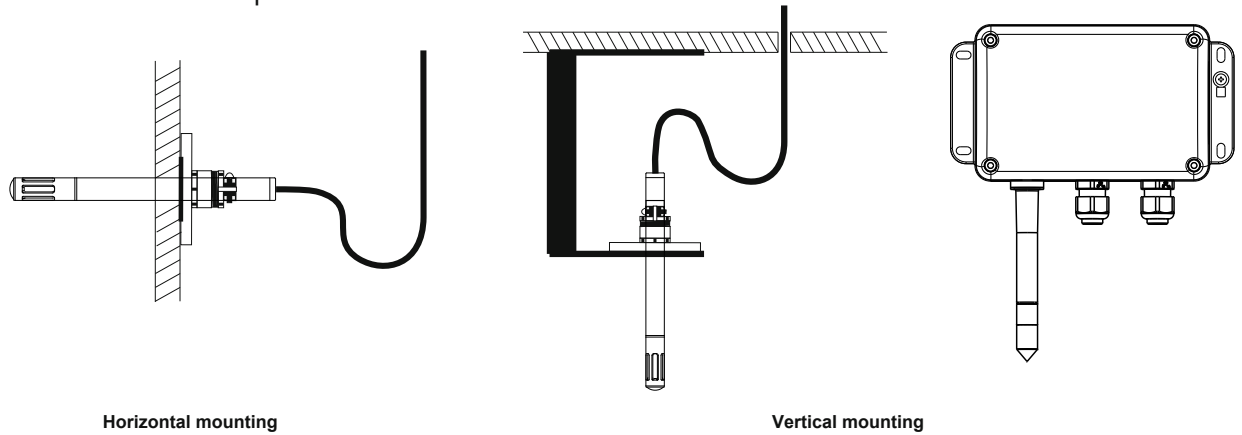


Fig. 5 Correct mounting position

For accurate measurement results it is of paramount importance to avoid temperature gradients along the sensing probe. This is particularly important for the remote probe when installed into a wall. Whenever possible, install the entire probe in the environment to monitor. If the probe is installed into a wall, then isolate thermally the backend of the probe looking out of the wall.

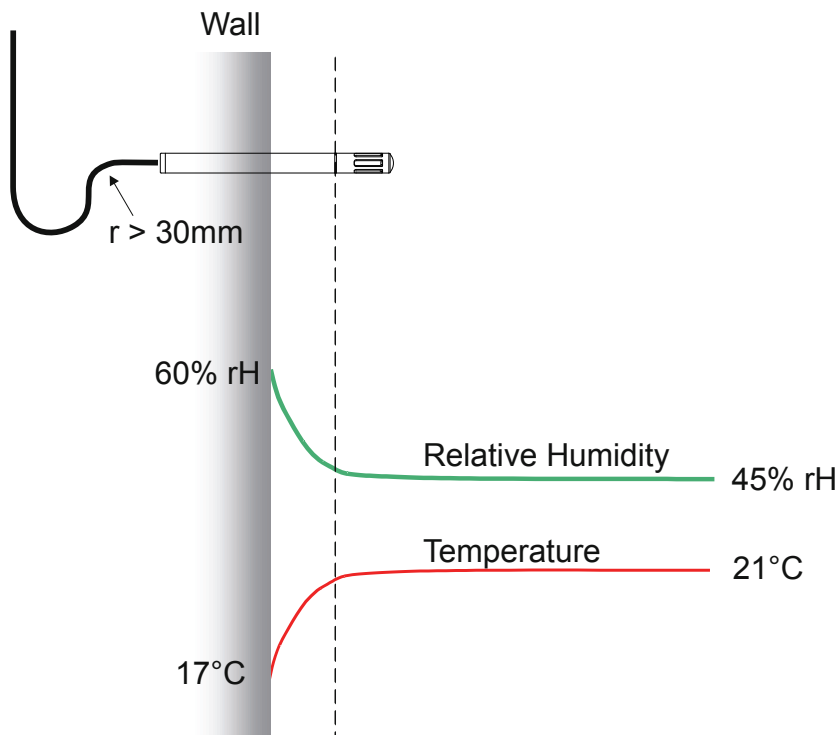


Fig. 6 Correct mounting of the probe

Filter cap

The probe must be operated with the filter cap on at all times. Avoid touching the sensing head. A clogged filter cap causes longer response time.



Take utmost care when replacing the filter cap in order to not touch the sensing elements. Please refer to the safety guide.

The right choice of filter cap (please see ordering guide in the data sheet) is very important for optimal performance under certain environment conditions. For technical details on the filter caps please see data sheet "Accessories" or contact the manufacturer's representative for advice.

2.5.3 Mounting with Mounting Flange (optional)

The mounting flange may only be used for installing the probe in separating walls between two explosion-hazard areas of the same category. It is not allowed to use the mounting flange as zone bushing.

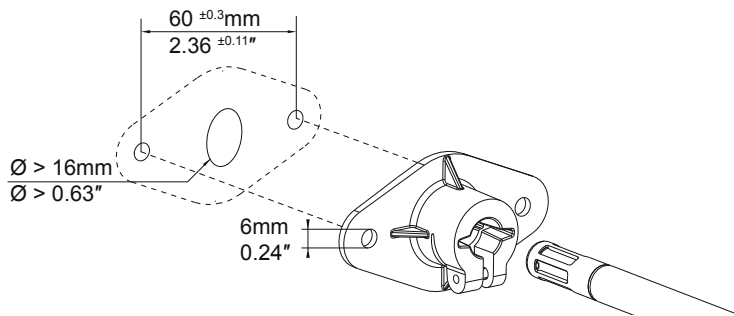


Fig. 7 Dimension mounting flange

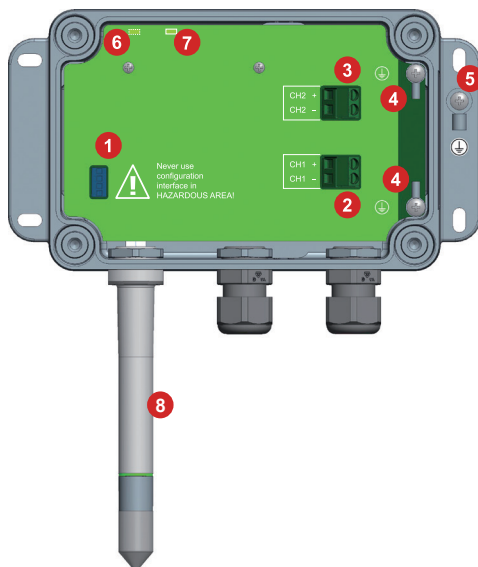
3 Electrical Connection

3.1 General



Channel 1 must always be connected, while channel 2 may be connected only if required. According the ordering guide in datasheet, assign to channel 1 the most relevant measurand parameter.

3.2 Terminal Assignment EE100Ex



1. Configuration interface
2. Terminals channel 1
3. Terminals channel 2
4. Internal grounding port
5. External grounding port
6. Status LED CH1
7. Status LED CH2
8. Probe electronic with sensing element

Fig. 8 Electronics board

4 Configuration and Adjustment

The EE100EX sensor is ready to use and does not require any configuration by the user. The factory setup of EE100EX corresponds to the type number ordered. For ordering guide please see data sheet at www.epluse.com/ee100ex.

If needed, the user can change the factory setup by using the service interface located on the electronics board, an optional adapter and the free EE-PCS Product Configuration Software, download from <http://www.epluse.com/en/service-support/download-center/>.

The adapter consists of the EE-PCA Product Configuration Adapter together with the connection cable HA011068.

EE100EX user configuration and adjustment includes:

- Scaling the outputs
- Selection of the measurands at the outputs
- Enable / disable the error indication according NAMUR.
- Adjustment of the RH and T outputs
- Return to factory setup
- Firmware update. For a firmware update, the EE-PCA Product Configuration Adapter must be connected to the PC via the USB interface. The firmware update cannot be carried out for a connection via the RS232 interface.

4.1 Configuration

4.1.1 Output Scale

The 4...20 mA outputs of the EE100EX are factory scaled according to the order. The user can change the scale of the 4...20 mA outputs. The error indication according NAMUR (see 4.2) is disabled by default.

4.1.2 Measurands

The user can select between RH, T, Td and Tf at each output.



Important:

After changing the factory setup (measurands and/or output scale) the product and packaging label lose their validity as they do not match any longer the actual product configuration.

In order to avoid later confusion and mistakes, the configuration change can be made clearly visible by using the self-adhesive configuration labels included in the scope of supply. See also the user guide "Relabeling in case of product configuration change" at www.epluse.com/ee100ex.

4.2 Error Indication (NAMUR)

The EE100Ex features an error indication on the analogue outputs according to NAMUR recommendations. A device failure is indicated by 21mA output. The user can enable or disable the error indication.



Upon delivery the NAMUR error indication is disabled.

While the error indication is enabled, the minimum supply voltage shall be

$$UB_{\min} = 11 \text{ V} + R_L \cdot 0.021 \text{ A} \quad (R_L = \text{load resistor})$$

$$UB_{\max} < 28 \text{ V}$$

4.3 Calibration / Adjustment

4.3.1 Definitions

Calibration

The calibration documents the accuracy of a measurement device. The device under test (specimen) is compared with the reference and the deviations are documented in a calibration certificate. During the calibration, the specimen is not changed or improved in any way.

Adjustment

The adjustment improves the measurement accuracy of a device. The specimen is compared with the reference and brought in line with it. An adjustment can be followed by a calibration which documents the accuracy of the adjusted specimen.



For RH calibration please see "Calibration Kit - User Guide" at www.epluse.com/ee100ex.

4.3.2 Return to factory setup

The return to factory setup restores the original adjustment of the device, but does not affect the user setup for measurand, output scale and error indication.

5 Status LEDs

The EE100Ex features two status LEDs on the electronics board, see Fig. 8.

Status LED 1

- flashes (1 second interval) Channel 1 operates normally
- flashes (5 seconds interval) Critical failure, return the device to manufacturer for service
- off Channel 1 not in use or current loop open

Status LED 2

- on Channel 2 operates normally
- off Channel 2 not in use or current loop open

6 Replacement Parts / Accessories

See also data sheet „Accessories“ at www.epluse.com/ee100ex.

Designation

Stainless steel sinter filter

PTFE filter

EE100EX configuration adapter consisting of:

 E+E Product Configuration Adapter

 Connection cable with protection circuitry

Sealing plug for unused cable screw connection M16

Sealing plug for unused cable screw connection M20

Intrinsically safe supply unit, 1-channel, PC MACX MCR-EX-SL-RPSSI-I

Intrinsically safe supply unit, 2-channel, PC MACX MCR-EX-SL-RPSS-2I-2I

Mounting flange 12mm (0.24")

Humidity calibration kit ... see data sheet „Humidity calibration kit“

Order code

HA010103EX

HA010105

EE-PCA

HA011068

HA011402

HA011404

HA011411

HA011412

HA010202

7 Technical Data

Measurands

Relative Humidity [RH]

Measurement range 0...100 % RH

Accuracy¹⁾

(incl. hysteresis, non-linearity and repeatability) $\pm 2\%$ (20...30 °C, 0...90 % RH)

Temperature [T]

Measurement range -40...60 °C (-40...140 °F)

Accuracy at 20 °C $\pm 0.2\text{ °C}$ ($\pm 0.36\text{ °F}$)

Calculated parameters

Dew point temperature [Td]

Frost point temperature [Tf]

Output

Analogue outputs 2 x 4...20 mA, 2 wire, freely selectable and scalable

General

Supply voltage

From intrinsically safety barrier

11 V + R_L * 0,02 A < U_b < 28 V DC (R_L = load resistor)

Safety factors

$U_i = 28\text{ V}$; $I_i = 100\text{ mA}$; $P_i = 700\text{ mW}$; $C_i = 2.2\text{ nF}$; $L_i \approx 0\text{ mH}$

Electrical connection

Screw terminals, max. 1.5 mm²

Cable glands

M16 for cable diameter 4.5 - 10 mm (0.18 - 0.4")

M20 for cable diameter 10 - 14 mm (0.4 - 0.55")

Protection class

IP65

Working and storage temperature ranges

-40...60 °C (-40...140 °F)

Material

Enclosure

Aluminium (Al Si9 Cu3)

Probe

ABS / PC - wall mount version // PC - remote probes

Safety area installation

Gas - Zone 1 / EPL Gb

Electromagnetic compatibility according

EN 61326-1

EN 61326-2-3

Industrial Environment



¹⁾ Traceable to intern. standards, administrated by NIST, PTB, BEV,... The accuracy statement includes the uncertainty of the factory calibration with an enhancement factor k=2 (2-times standard deviation). The accuracy was calculated in accordance with EA-4/02 and with regard to GUM (Guide to the Expression of Uncertainty in Measurement).

DEUTSCH

1 Allgemein

Diese Bedienungsanleitung dient zur Sicherstellung der ordnungsgemäßen Handhabung und optimalen Funktion des Geräts. Vor der Inbetriebnahme ist die Betriebsanleitung und der Safety Guide zu lesen. Das Handbuch ist relevant für alle Personen, die mit Transport, Installation, Betrieb, Wartung und Reparatur befasst sind.

Ohne schriftliche Zustimmung von E+E Elektronik® darf diese Bedienungsanleitung nicht für Zwecke des Wettbewerbs verwendet oder an Dritte weitergegeben werden. Kopien für den persönlichen Gebrauch sind erlaubt. Alle enthaltenen Inhalte, technischen Daten und Abbildungen basieren auf den, zum Zeitpunkt der Veröffentlichung, verfügbaren Informationen.

1.1 Symbolerklärung



Dieses Zeichen zeigt Sicherheitshinweise an.

Sicherheitshinweise sind unbedingt zu befolgen. Bei Nichtbeachtung können Verletzungen von Personen oder Sachschäden entstehen. E+E Elektronik® übernimmt dafür keine Haftung.



Dieses Zeichen zeigt einen Hinweis an.

Um eine optimale Funktion des Gerätes zu erreichen, sind diese Hinweise einzuhalten.

1.2 Sicherheitshinweise

1.2.1 Allgemeine Sicherheitshinweise

- Übermäßige mechanische und unsachgemäße Beanspruchungen sind unbedingt zu vermeiden.
- Achten Sie beim Tausch der Filterkappe darauf, das Sensorelement nicht zu berühren.
- Informationen zur Reinigung des Sensors und zum Austausch der Filterkappe finden Sie in unserer „Reinigungsanleitung“ auf www.epluse.com/ee100ex.
- Montage, Installation, Wartung und Inbetriebnahme dürfen nur von dazu ausgebildetem Fachpersonal durchgeführt werden.

1.2.2 Montage, Inbetriebnahme und Betrieb

Das Gerät wurde mit den modernsten Fertigungsbedingungen hergestellt, gründlich getestet und erfüllt beim verlassen des Werkes alle Sicherheitskriterien.

Der Hersteller hat alle Vorkehrungen getroffen, um einen sicheren Betrieb des Geräts zu gewährleisten. Der Anwender muss sicherstellen, dass das Gerät so installiert und betrieben wird, dass die sichere Verwendung nicht beeinträchtigt ist.

Der Anwender ist dafür verantwortlich, alle geltenden lokalen und internationalen Sicherheitsrichtlinien hinsichtlich der Installation und Betriebs des Gerätes zu beachten.

Diese Bedienungsanleitung enthält Informationen und Warnungen, die zu beachten sind, um einen sicheren Betrieb zu gewährleisten.

- Montage, elektrischer Anschluss, Wartung und Inbetriebnahme dürfen nur von dazu ausgebildetem Fachpersonal durchgeführt werden.
- Dieses Personal muss vom Betreiber der Anlage zur Durchführung der genannten Tätigkeiten autorisiert sein.
- Das Fachpersonal muss die Bedienungsanleitung und den Safety Guide gelesen und verstanden haben und die darin enthaltenen Anweisungen befolgen.
- Alle Prozess- und elektrischen Anschlüsse sind vor der Inbetriebnahme des Systems von autorisiertem Fachpersonal sorgfältig zu prüfen.
- Installieren oder starten Sie kein Gerät das fehlerhaft ist. Stellen Sie durch eindeutige Kennzeichnung sicher, dass diese Geräte nicht versehentlich verwendet werden.
- Ein fehlerhaftes Gerät darf nur von qualifiziertem, geschultem und autorisiertem Fachpersonal untersucht und gegebenenfalls repariert werden. Wenn der Fehler nicht behoben werden kann, muss das Gerät aus dem System entfernt werden.
- Servicearbeiten, die nicht in dieser Bedienungsanleitung beschrieben sind, dürfen nur durch den Hersteller ausgeführt werden.

1.3 Umweltaspekte



Die Produkte von E+E Elektronik® werden unter Berücksichtigung aller wichtigen Umweltaspekte entwickelt. Aus diesem Grund sollte auch bei der Entsorgung Umweltverschmutzung vermieden werden.



Bei der Entsorgung des Sensors muss auf die sortenreine Trennung der einzelnen Komponenten geachtet werden. Die Elektronik muss im Elektronikschrott gesammelt und fachgerecht entsorgt werden.

1.4 ESD Schutz

Die Sensorelemente und die Platine sind ESD (elektrostatische Entladung) empfindliche Komponenten und müssen als solche behandelt werden. Andernfalls kann das Gerät durch Berührung mit elektrostatischen Entladungen beschädigt werden.

1.5 Lieferumfang

- EE100Ex lt. Bestellcode
- 1 x Imbusschlüssel
- Bedienungsanleitung
- Safety Guide
- Abnahmeprüfzeugnis gemäß DIN EN 10204-3.1

2 Produktbeschreibung

2.1 Allgemein

Der eigensichere Sensor EE100Ex ist für die Messung von relativer Feuchte (rF), Temperatur (T) und Taupunkttemperatur (Td) / Frostpunktemperatur (Tf) im explosionsgefährdeten Bereich in Gas bis Zone 1 konzipiert. Das Gerät darf nur von einem eigensichere Speisegeräte oder über Zenerbarrieren versorgt werden.

Der Hersteller haftet nicht für Schäden, die auf unsachgemäße Handhabung, Installation und Wartung des Geräts zurückzuführen sind.

Nicht autorisierte Änderungen des Produkts führen zum Verlust aller Garantieansprüche.

Haftungsausschluss

Der Hersteller oder sein Bevollmächtigter haftet nur bei Vorsatz oder grober Fahrlässigkeit. In jedem Fall ist der Haftungsumfang auf den entsprechenden Betrag der dem Hersteller erteilten Bestellung begrenzt. Der Hersteller übernimmt keine Haftung für Schäden, die durch Nichtbeachtung geltender Vorschriften, Betriebsanleitungen oder -bedingungen entstehen. Folgeschäden sind von der Haftung ausgeschlossen.

2.2 EU Konformität

Die EE100Ex Sensoren erfüllen die Bestimmungen folgender EU-Richtlinie(n):

- ATEX Richtlinie
- EMV Richtlinie
- ROHS Richtlinie

Die Konformität wird durch die Erfüllung folgender Normen bestätigt:

- EN 60079-0
- EN 60079-11
- EU Baumusterprüfbescheinigung : TPS 19 ATEX 038892 0008 X
- EN 61326-1: Elektrische Mess-, Steuer-, Regel- und Laborgeräte - EMV-Anforderungen - für den Einsatz in Industriestandorten.
- EN 50581: Technische Dokumentation zur Beurteilung von Elektro- und Elektronikgeräten hinsichtlich der Beschränkung gefährlicher Stoffe.

2.3 Zertifizierung

2.3.1 ATEX und IECEx

Kopien der Zertifikate und Anschlusspläne sind im EE100Ex Safety Guide enthalten.

Aktualisierte Zertifikate stehen auf der der EE100Ex Produktwebsite (www.epluse.com/ee100ex) zum Download zur Verfügung.



2.3.2. Korea

Angewandtes Recht für Korea:

§ 34 Arbeitsschutzgesetz
Das Konformitätszertifikat wurde von KC ausgestellt.

Zertifikatsnummer:

20-AV4BO-0440X

Sicherheitstechnische Kennwerte:

U_i = 28 V dc; I_i = 100 mA; P_i = 700 mW (pro Kanal); C_i = 2.2 nF; L_i = vernachlässigbar klein

Ex-Kennzeichnung:

Ex ia IIB T4 (T_{amb} = -40 °C bis 60 °C)

Besondere Nutzungsbedingungen:

- 1) Das Gerät EE100Ex erfüllt die Anforderungen für „ia“ gemäß der IEC/EN 60079-11, ist jedoch aufgrund des verwendeten Aluminiumgehäuses nur für den EPL „Gb“ geeignet.
- 2) Die (abgesetzte) Mess-Sonde darf nicht in Zone 0 betrieben werden, da der EPL des gesamten Geräts auf „Gb“ beschränkt ist.
- 3) Das Sensorelement muss durch eine der vorgesehenen Filterkappen abgedeckt sein.
- 4) Das Verbindungskabel HA011068 darf nur außerhalb des explosionsgefährdeten Bereichs mit dem EE100Ex betrieben werden. Bei Verwendung des HA011068 dürfen die beiden Datenkanäle CH1 und CH2 des EE100Ex nicht angeschlossen sein.
- 5) Beziehen der vom Hersteller zur Verfügung gestellten Bedienungsanleitung.

2.3.3 Japan

Das Typgenehmigungszertifikat wurde von CSA Group Testing UK Ltd. ausgestellt.

Zertifikatsnummer:

CSAUK 20JPN060X

Sicherheitstechnische Kennwerte:

U_i = 28 Vdc; I_i = 100 mA; P_i = 700 mW (pro Kanal); C_i = 2,2 nF; L_i ≈ 0

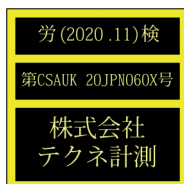
Ex-Kennzeichnung:

Ex ia IIB T4 (T_a = -40 °C to 60 °C)

Besondere Nutzungsbedingungen:

- 1) Das Gerät EE100Ex erfüllt die Anforderungen für „ia“ gemäß der IEC/EN 60079-11, ist jedoch aufgrund des verwendeten Aluminiumgehäuses nur für den EPL „Gb“ geeignet.
- 2) Die (abgesetzte) Mess-Sonde darf nicht in Zone 0 getrieben werden, da der EPL des gesamten Gerätes auf „Gb“ beschränkt ist.
- 3) Das Sensorelement muss durch eine der vorgeschriebenen Filterkappen abgedeckt sein.
- 4) Das Verbindungskabel HA011068 darf nur außerhalb des explosionsgefährdeten Bereichs mit dem EE100Ex betrieben werden. Bei Verwendung des HA011068 dürfen die beiden Datenkanäle CH1 und CH2 des EE100Ex nicht angeschlossen sein.
- 5) Das Gehäuse ist mit den vom Hersteller gelieferten Teilen, z.B. Kabelverschraubungen, zu vervollständigen.

Etikett des japanischen Ministeriums:



Japanisches Ex-Kennzeichnungs Etikett:

E+E Elektronik 4209 Engerwitzdorf Langwiesen 7
Cert No. CSAUK 20JPN060X
Ex ia IIB T4 Gb
U_i = 28Vdc I_i = 100mA P_i = 700mW C_i = 2.2nF L_i = negligibly small
-40°C ≤ T_a ≤ 60°C IP65 Series: S CCYYYY

S... Aktuelle EE100Ex Serie

CCYYYY CC Kalenderwoche der Produktion
YYYY Herstellungsjahr

Zertifikat Japan:

Mehr Informationen erhalten Sie vom E+E Sales Support.

2.4 Abmessungen in mm (inch)

2.4.1 Modell T1 - Wandmontage

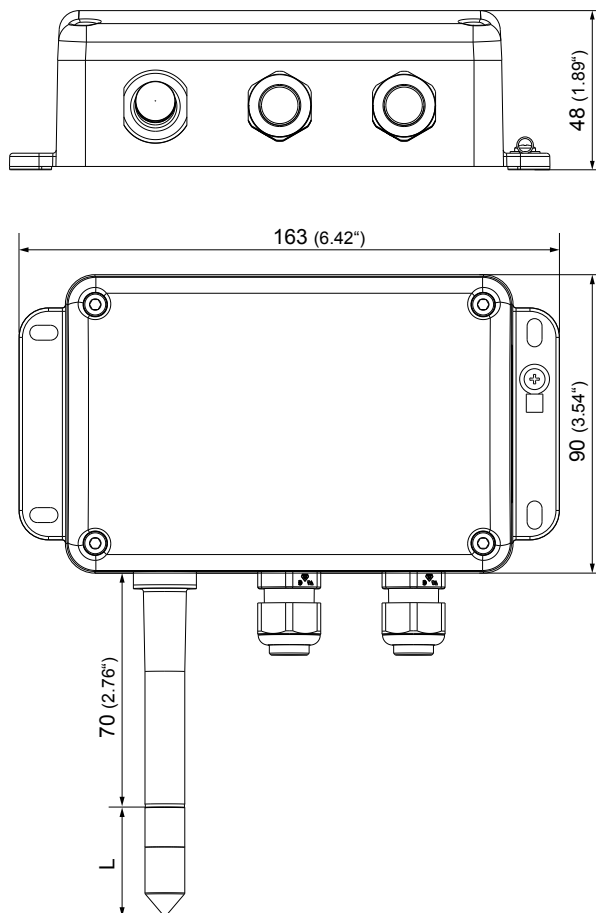


Abb. 1 Abmessungen Modell T1

2.4.2 Modell T3 - Abgesetzter Fühler mit fixem Kabel

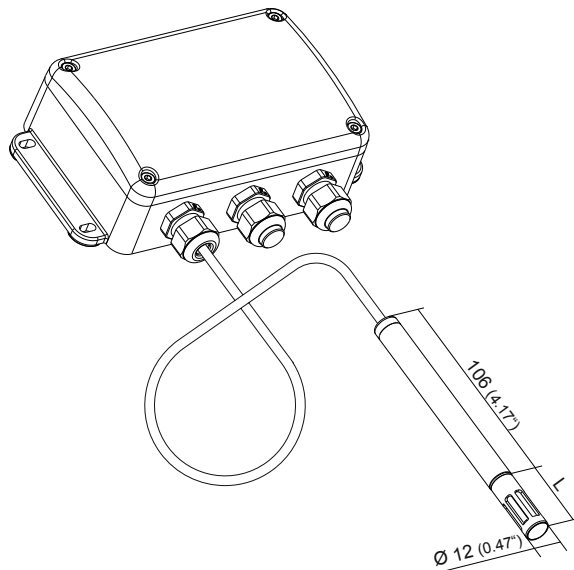


Abb. 2 Abmessungen Modell T3

Max. Kabellänge 3 Meter (9.84 Fuß)

2.4.3 Modell T23 - Abgesetzter Fühler mit M12 Stecker

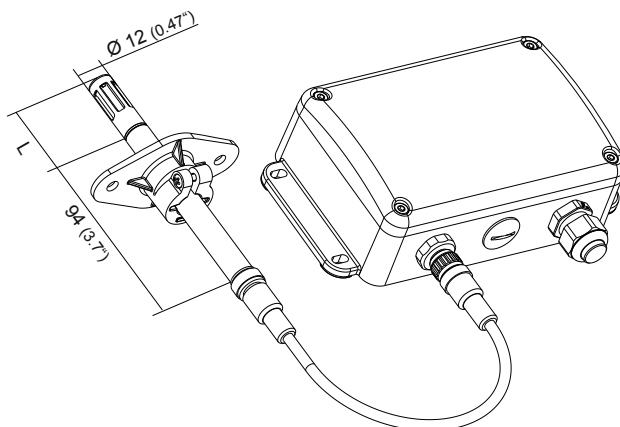


Abb. 3 Abmessungen Modell T23

Länge M12 Verbindungskabel max. 3 Meter (9.84 Fuß).

Einsatzbereich M12 Verbindungskabel: -25...60 °C

L = Filterkappe	Länge in mm
Edelstahlsinterfilter	33 (1.3")
PTFE Filter, H ₂ O ₂ Filter	33 (1.3")
Edelstahlgitterfilter	39 (1.5")
Membranfilter	34 (1.4")

2.5 Installation

Der EE100Ex ist zertifiziert nach der ATEX 2014/34/EU Richtlinie, dem IECEx System, KCs (Korea) und CSA (Japan).

2.5.1 Bohrplan für die Montage des EE100Ex Gehäuses

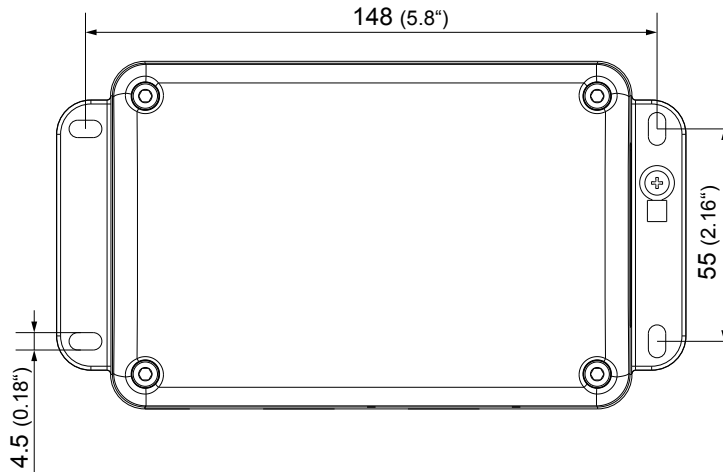


Abb. 4 Bohrplan

Unbenutzte Kabelverschraubungen sollten mit Verschlussstopfen (nicht im Lieferumfang enthalten) verschlossen werden.

2.5.2 Fühler und Filterkappe

Die Wandversion des EE100Ex verfügt über einen fixen Kunststofffühler (ABS / PC). Der abgesetzte Fühler besteht aus PC.



Der Messfühler muss horizontal oder vertikal (nach unten) montiert sein. Der Fühler muss vor Wittereinflüssen wie z.B. Regen oder direkter Sonneneinstrahlung geschützt werden.

Um zu verhindern das Kondenswasser entlang des Kabels zum Fühler gelangt, sollte bei jeder Montage ein Abtropfbogen gelegt werden.

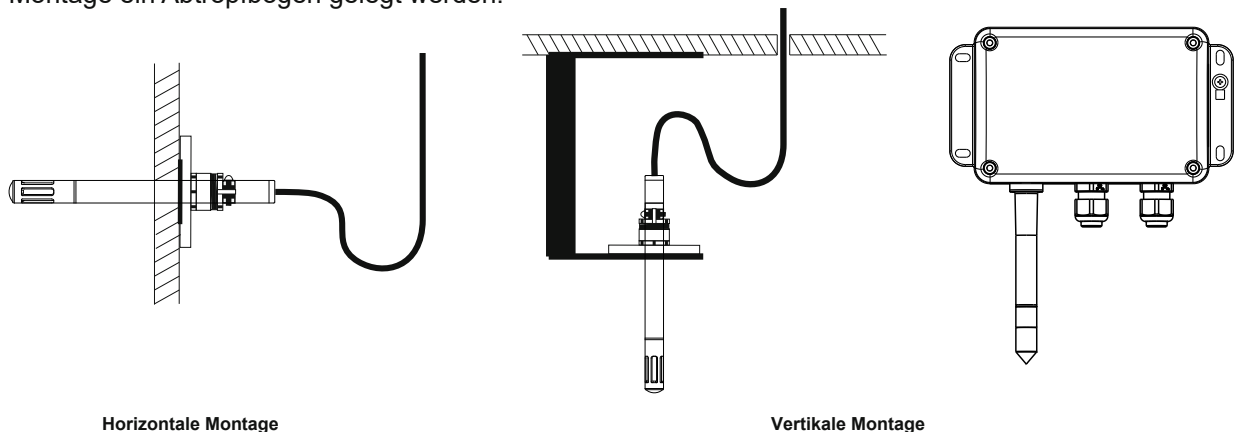


Abb. 5 Richtige Montageposition

Für genaue Messresultate ist es erforderlich das ein Temperaturegefälle entlang des Messfühlers vermieden wird. Dies ist besonders wichtig, wenn der abgesetzter Fühler in einer Wand montiert wird. Nach Möglichkeit soll der gesamte Messfühler im zu überwachenden Bereich installiert werden. Sollte das nicht möglich sein, ist es notwendig den Messfühler im Außenbereich entsprechend zu isolieren.

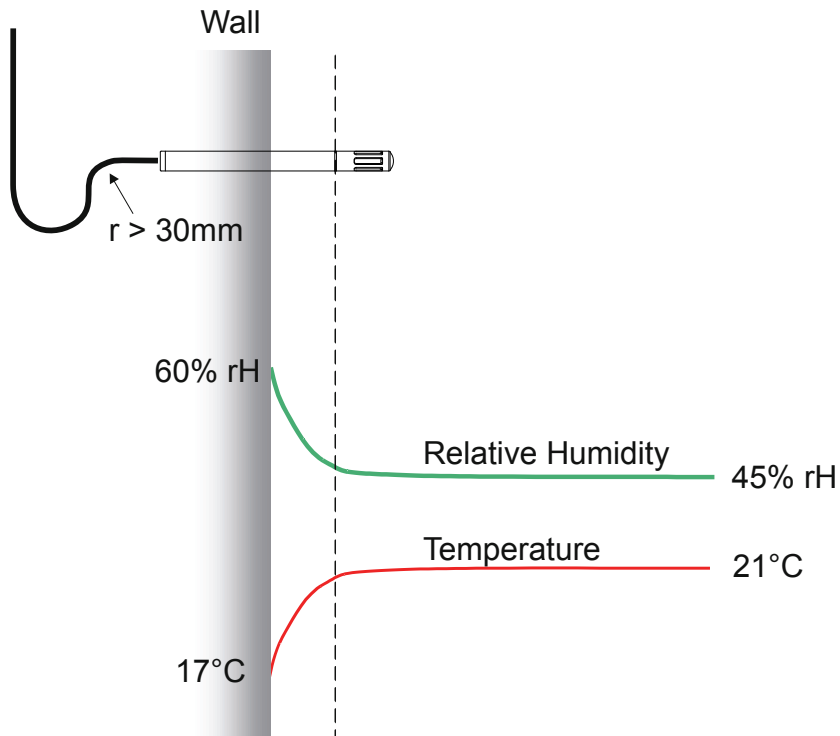


Abb. 6 Richtige Montage des Fühlers

Filterkappen

Der Fühler muss immer mit Filterkappe betrieben werden. Vermeiden Sie es, den Sensorkopf zu berühren. Eine verschmutzte Filterkappe führt zu einer längeren Ansprechzeit.



Seien Sie beim Austausch der Filterkappe besonders vorsichtig und berühren Sie nicht das Sensorelement. (Bitte beachten den Safety Guide.)

Die Wahl der Filterkappe (siehe Bestellcode im Datenblatt) ist äußerst wichtig für eine optimale Leistung unter bestimmten Umgebungsbedingungen. Technische Details zu den Filterkappen entnehmen Sie bitte dem Datenblatt „Zubehör“ oder wenden Sie sich an den Vertriebspartner des Herstellers.

2.5.3 Montage mit Montageflansch (optional)

Der Montageflansch darf nur für die Installation des Fühlers in Trennwänden zwischen zwei explosionsgefährdeten Bereichen der gleichen Kategorie verwendet werden. Es ist nicht zulässig, den Montageflansch als Zonendurchführung zu verwenden.

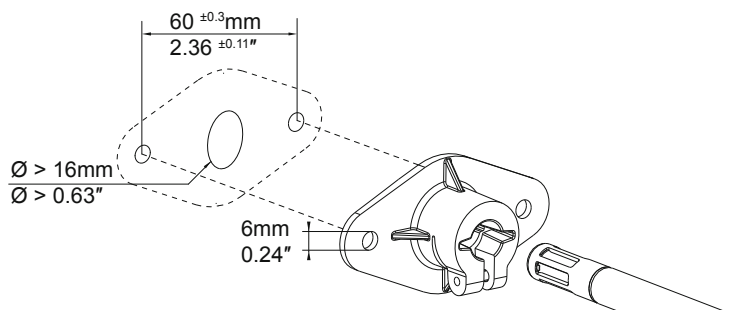


Abb. 7 Abmessungen Montageflansch

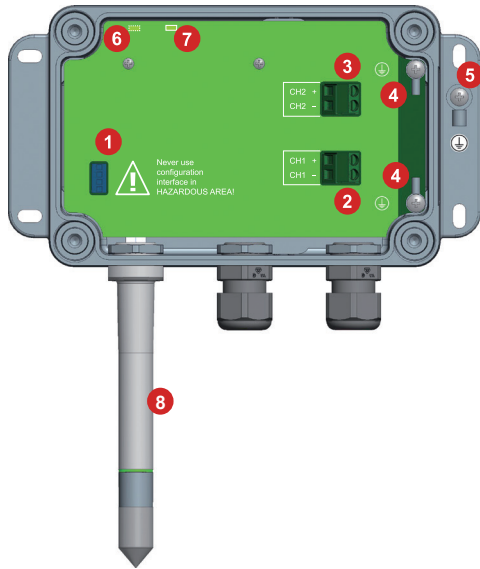
3 Elektrischer Anschluss

3.1 Allgemein



Kanal 1 muss immer angeschlossen sein, während Kanal 2 nur bei Bedarf angeschlossen werden kann. Gemäß des Bestellcodes im Datenblatt weisen Sie Kanal 1 die wichtigste Messgröße zu.

3.2 Anschlussbelegung EE100Ex



1. Konfigurationsschnittstelle
2. Klemmen Kanal 1
3. Klemmen Kanal 2
4. Interner Erdungsanschluss
5. Externer Erdungsanschluss
6. Status LED CH1
7. Status LED CH2
8. Fühlerelektronik mit Sensorelement

Abb. 8 Platine

4 Konfiguration und Justage

Der Sensor EE100EX ist betriebsbereit und erfordert keine Konfiguration durch den Benutzer. Die Werkseinstellung des EE100EX entspricht der bestellten Typennummer. Den Bestellcode finden Sie im Datenblatt unter www.epluse.com/ee100ex.

Bei Bedarf kann die Werkseinstellung über die Service-Schnittstelle auf der Platine, einen optionalen Adapter und die kostenlose EE-PCS Produkt-Konfigurationssoftware (kostenloser Download unter www.epluse.com/configurator) geändert werden.

Der Adapter besteht aus dem EE-PCA Product Configuration Adapter und dem Verbindungskabel HA011068.

Die EE100EX Benutzerkonfiguration und -justage beinhaltet:

- Skalierung der Ausgänge
- Auswahl der Messgrößen an den Ausgängen
- Aktivieren / Deaktivieren der Fehleranzeige gemäß NAMUR.
- Einstellung der rF- und T-Ausgänge
- Zurück zur Werkseinstellung
- Firmwareupdate. Bei einem Firmwareupdate muss der EE-PCA Product Configuration Adapter über die USB-Schnittstelle mit dem PC verbunden werden. Bei einer Verbindung über die RS232 Schnittstelle kann das Firmwareupdate nicht durchgeführt werden.

4.1 Konfiguration

4.1.1 Ausgabeskalierung

Die 4...20 mA-Ausgänge des EE100Ex sind werkseitig gemäß der Bestellung skaliert. Bei Bedarf kann diese geändert werden. Die Fehleranzeige gemäß NAMUR (siehe 4.2) ist standardmäßig deaktiviert.

4.1.2 Messgrößen

Es kann an jedem Ausgang zwischen rF, T, Td und Tf gewählt werden.

**Wichtig:**

Nach Änderung der Werkseinstellung (Messgrößen und/oder Ausgabeskalierung) verlieren das Produkt- und das Verpackungsetikett ihre Gültigkeit, da sie nicht mehr der tatsächlichen Produktkonfiguration entsprechen.

Um spätere Verwechslungen und Fehler zu vermeiden, kann die Konfigurationsänderung durch, die im Lieferumfang enthaltenen, selbstklebenden Konfigurationsetiketten deutlich sichtbar gemacht werden (siehe User Guide "Relabeling in case of product configuration change" unter www.epluse.com/ee-100ex).

4.2 Fehleranzeige (NAMUR)

Der EE100Ex verfügt über eine Fehleranzeige an den Analogausgängen gemäß den NAMUR-Empfehlungen. Ein Geräteausfall wird durch einen 21mA-Ausgang angezeigt. Die Fehleranzeige kann bei Bedarf aktiviert bzw. deaktiviert werden.



Werkseitig ist die NAMUR-Fehleranzeige deaktiviert.

Solange die Fehleranzeige aktiv ist, muss folgende minimale Versorgungsspannung gegeben sein

$$UB_{\min} = 11 \text{ V} + R_L * 0.021 \text{ A} \quad (R_L = \text{Lastwiderstand})$$

$$UB_{\max} < 28 \text{ V}$$

4.3 Kalibrierung / Justage

4.3.1 Definitionen

Kalibrierung

Die Kalibrierung dokumentiert die Genauigkeit eines Messgerätes. Das zu prüfende Gerät (Prüfling) wird mit der Referenz verglichen und Abweichungen werden in einem Kalibrierzertifikat dokumentiert. Während der Kalibrierung wird der Prüfling nicht verändert oder in irgendeiner Weise verbessert.

Justage

Die Justage verbessert die Messgenauigkeit eines Gerätes. Der Prüfling wird mit der Referenz verglichen und in Einklang gebracht. Auf eine Justierung kann eine Kalibrierung folgen, welche die Genauigkeit der justierten Prüflinge dokumentiert..



Für die rF-Kalibrierung siehe „Calibration Kit - User Guide“ unter www.epluse.com/ee100ex.

4.3.2 Reset auf Werkseinstellung

Das Zurücksetzen auf Werkseinstellung stellt die ursprüngliche Justage des Gerätes wieder her. Dies hat jedoch keinen Einfluss auf die benutzerdefinierten Einstellung für Messgrößen, Ausgangsskalierung und Fehleranzeige.

5 Status LEDs

Der EE100Ex verfügt über zwei Status LEDs auf der Platine, siehe Abb. 8.

Status LED 1

- blinkt (1 Sekunde Intervall) Kanal 1 arbeitet normal
- blinkt (5 Sekunde Intervall) Kritischer Fehler, Gerät zur Wartung an den Hersteller senden
- aus Kanal 1 nicht in Verwendung oder Kabelbruch

Status LED 2

- ein Kanal 2 arbeitet normal
- aus Kanal 2 nicht in Verwendung oder Kabelbruch

6 Ersatzteile / Zubehör

Siehe Datenblatt „Zubehör“ auf www.epluse.com/ee100ex.

Beschreibung

Edelstahlsinterfilter

PTFE Filter

EE100EX Konfigurationsadapter bestehend aus:

E+E Product Configuration Adapter

Verbindungskabel mit Schutzschaltung

Verschlussstopfen für unbenutzte Kabelverschraubung M16

Verschlussstopfen für unbenutzte Kabelverschraubung M20

Eigensicheres Speisegerät, 1-Kanal, PC MACX MCR-EX-SL-RPSSI-I

Eigensicheres Speisegerät, 2-Kanal, PC MACX MCR-EX-SL-RPSS-2I-2I

Montageflansch 12mm (0.24")

Feuchte Kalibrier-Kit ... siehe Datenblatt „Feuchte Kalibrier-Kit“

Bestellcode

HA010103EX

HA010105

EE-PCA

HA011068

HA011402

HA011404

HA011411

HA011412

HA010202

7 Technische Daten

Messwerte

Relative Feuchte [rF]

Messbereich 0...100 % rF

Genauigkeit¹⁾ (inkl. Hysterese, Nichtlinearität und Wiederholgenauigkeit) ± 2 % (20...30 °C, 0...90 % RH)

Temperatur [T]

Messbereich -40...60 °C (-40...140 °F)

Genauigkeit bei 20 °C $\pm 0,2$ °C ($\pm 0,36$ °F)

Berechnete Größen

Taupunkttemperatur [Td]

Frostpunkttemperatur [Tf]

Ausgang

Analogausgänge 2 x 4...20 mA, 2-Draht, frei wähl- und skalierbar

Allgemein

Versorgungsspannung

von der Ex-Schutzbarriere $11 \text{ V} + R_L \cdot 0,02 \text{ A} < U_B < 28 \text{ V DC}$ (R_L = Lastwiderstand)

Sicherheitsfaktoren $U_i=28\text{V}$; $I_i=100\text{mA}$; $P_i=700\text{mW}$; $C_i = 2.2\text{nF}$; $L_i \approx 0\text{mH}$

Elektrischer Anschluss Schraubklemmen, max. 1.5 mm²

Kabelverschraubung M16 für Kabeldurchmesser 4,5 - 10 mm (0.18 - 0.4")

M20 für Kabeldurchmesser 10 - 14 mm (0.4- 0.55")

Gehäuse-Schutzart IP65

Betriebs- und Lagertemperaturbereich -40...60 °C (-40...140 °F)

Material

Gehäuse Aluminium (Al Si9 Cu3)

Fühler ABS / PC - Wandversion // PC - abgesetzter Fühler

Sicherheitsbereich Gas - Zone 1 / EPL Gb

Elektromagnetische Verträglichkeit EN 61326-1 EN 61326-2-3

Industrienumgebung



¹⁾ Die Toleranzangaben beinhalten die Unsicherheit der Werkskalibration mit einem Erweiterungsfaktor k=2 (2-fache Standardabweichung). Die Berechnung der Toleranz erfolgte nach EA-4/02 unter Berücksichtigung des GUM (Guide to the Expression of Uncertainty in Measurement).



HEADQUARTERS

E+E Elektronik Ges.m.b.H.

Langwiesen 7
4209 Engerwitzdorf
Austria
Tel.: +43 7235 605-0
E-mail: info@epluse.com
Web: www.epluse.com

SUBSIDIARIES

E+E Elektronik China

18F, Kaidi Financial Building,
No.1088 XiangYin Road
200433 Shanghai
Tel.: +86 21 6117 6129
E-mail: info@epluse.cn

E+E Elektronik France

Le Norty III, 136 chemin du Moulin
69130 Ecully
Tel.: +33 4 74 72 35 82
E-mail: info@epluse.fr

E+E Elektronik Germany

Schöne Aussicht 8 C
61348 Bad Homburg
Tel.: +49 6172 13881-0
E-mail: info@epluse.de

E+E Elektronik Italy

Via Alghero 17/19
20128 Milano (MI)
Tel.: +39 02 2707 86 36
E-mail: info@epluse.it

E+E Elektronik Korea

Suite 2001, Heungdeok IT
Valley Towerdong, 13,
Heungdeok 1-ro, Giheung-gu
16954 Yongin-si, Gyeonggi-do
Tel.: +82 31 732 6050
E-mail: info@epluse.co.kr

E+E Elektronik USA

333 East State Parkway
Schaumburg, IL 60173
Tel.: +1 847 490 0520
E-mail: office@epluse.com

YOUR PARTNER IN SENSOR TECHNOLOGY



ELEKTRONIK®
Ges.m.b.H.